



DUUN

VM370 Oil cooler

Art.no. 20009069

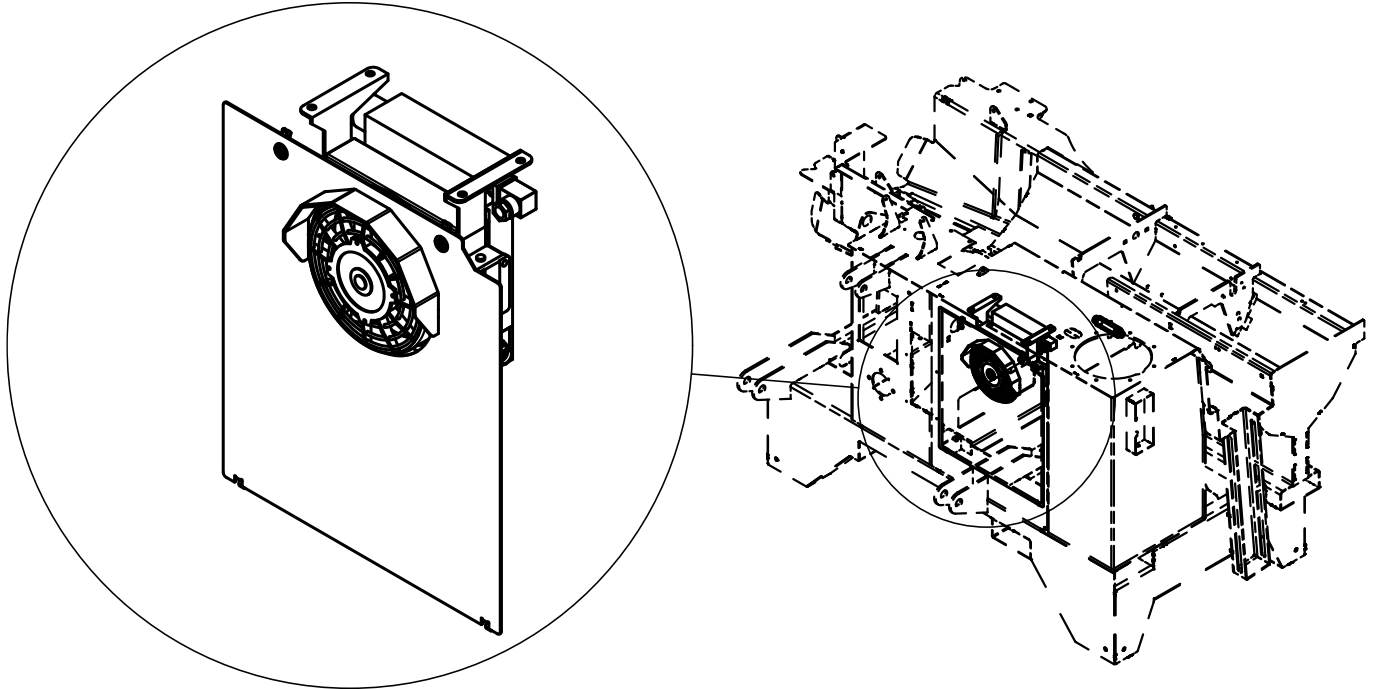


Figure 1

Assembly instructions



Duun
Industrier as

7630 Åsen, Norway

Tlf: +47 74 01 59 00

Fax: +47 74 01 59 10

Foretaksnr: NO 980.400.212.mva

www.duun.no

Pos	Qty	Article no.	Designation
1	1	41311175	Cover for oil cooler
2	2	2931024	Camlock Euro
3	2	2957780	Hexagon nipple GEK BSP 1" L15 ED
4	1	2957775	T-hexagon nipple EVTK 15L
5	1	4253052	Oil cooler
6	1	2957513	Hydraulic fitting L15-L12
7	4	2422244	Hexagon screw M8x20 EIzn 8.8 DIN 933
8	4	2531047	Washer M8 EIzn DIN 125
9	1	2957723	T-hexagon nipple EVLK 12L
10	2	41311195	Nut plate
11	4	2534047	Spring washer M8 EIzn DIN 127
12	1	41311176	Nozzle $\varnothing 3,2/12x1$
13	1	2957776	T-hexagon nipple EVLK 15L
14	1	2957768	Hexagon nipple GEK BSP 1/2" L15 ED
15	1	2957861	Hydraulic gasket 1/2"
16	1	2957763	Hexagon nipple BSP 1/2" - 3/8"
17	1	2957890	Hydraulic gasket 3/8"
18	1	2955297	Non-return valve 1/2" 6,0Bar
19	2	2958518	Hydraulic hose 1/2" L560

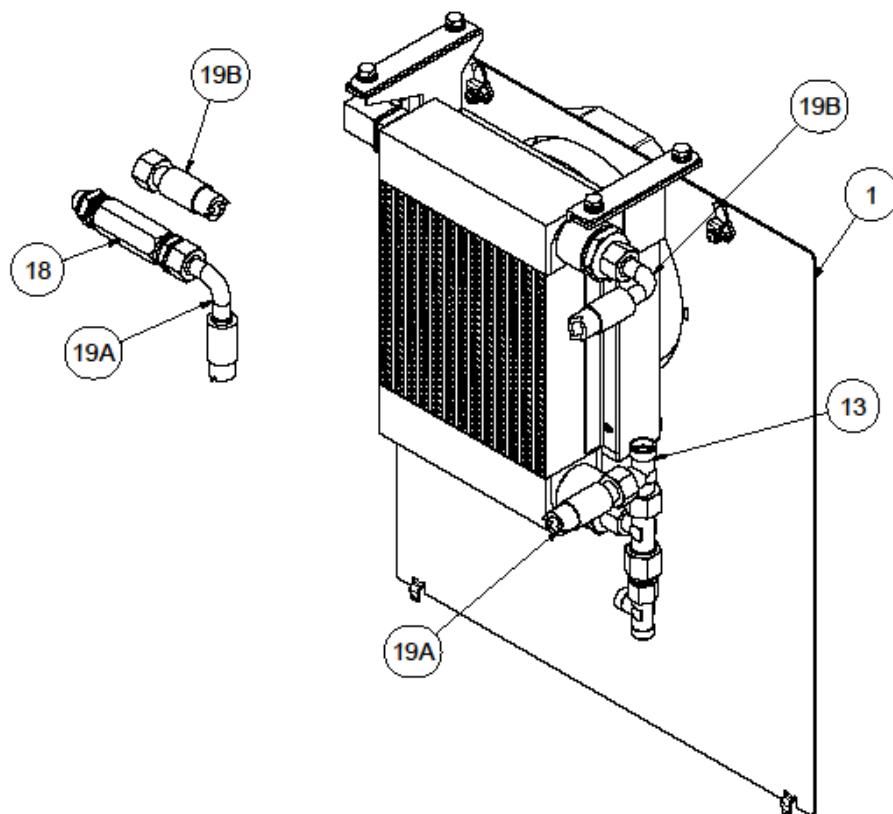


Figure 2 Compilation

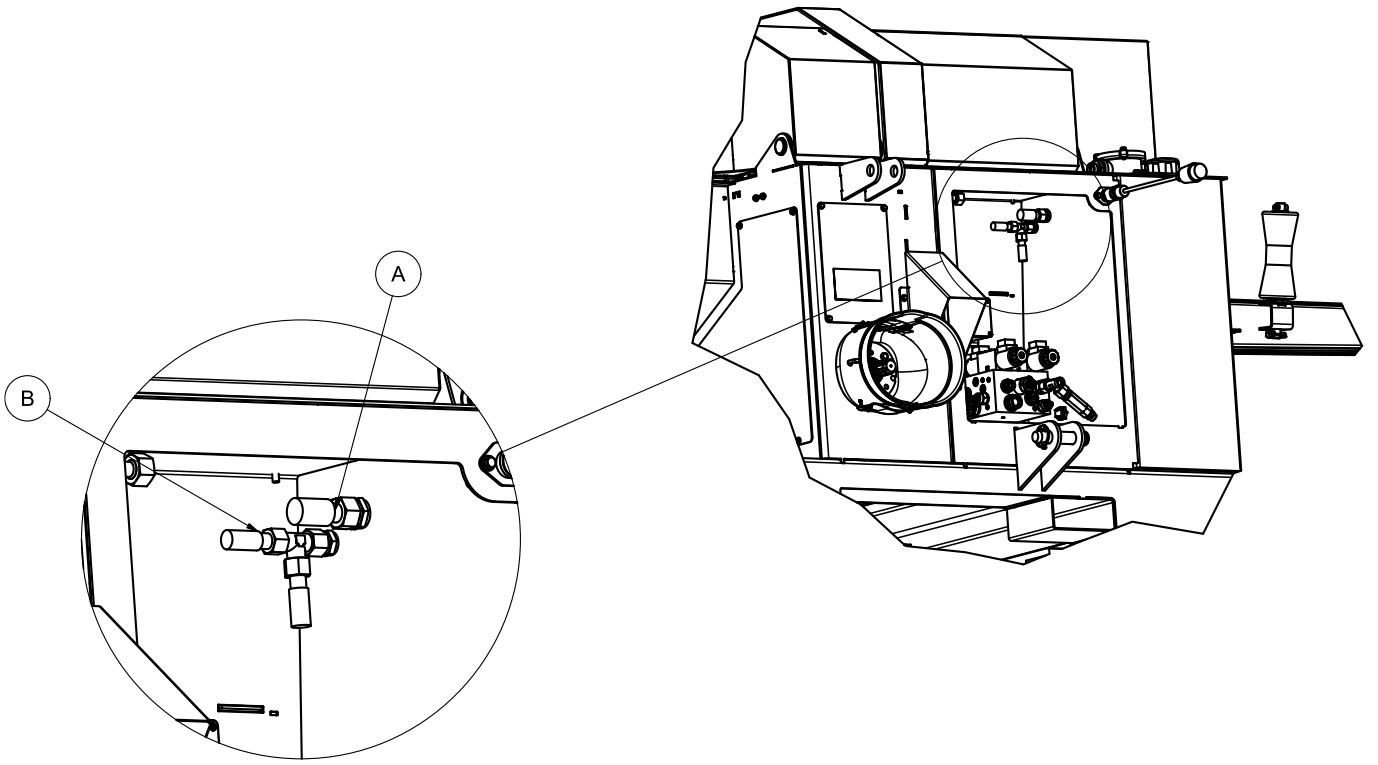


Figure 3 Without cooler

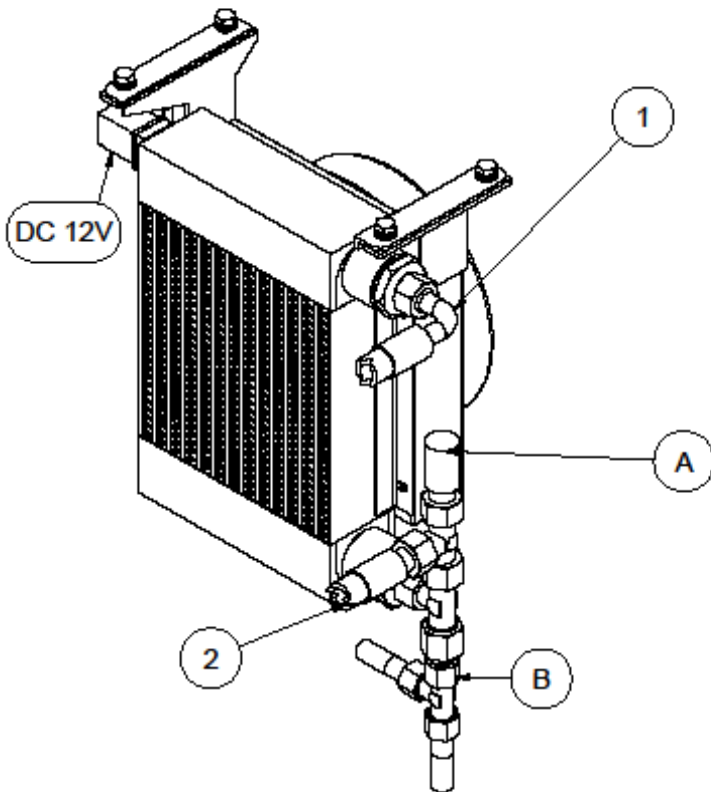


Figure 4 Cooler

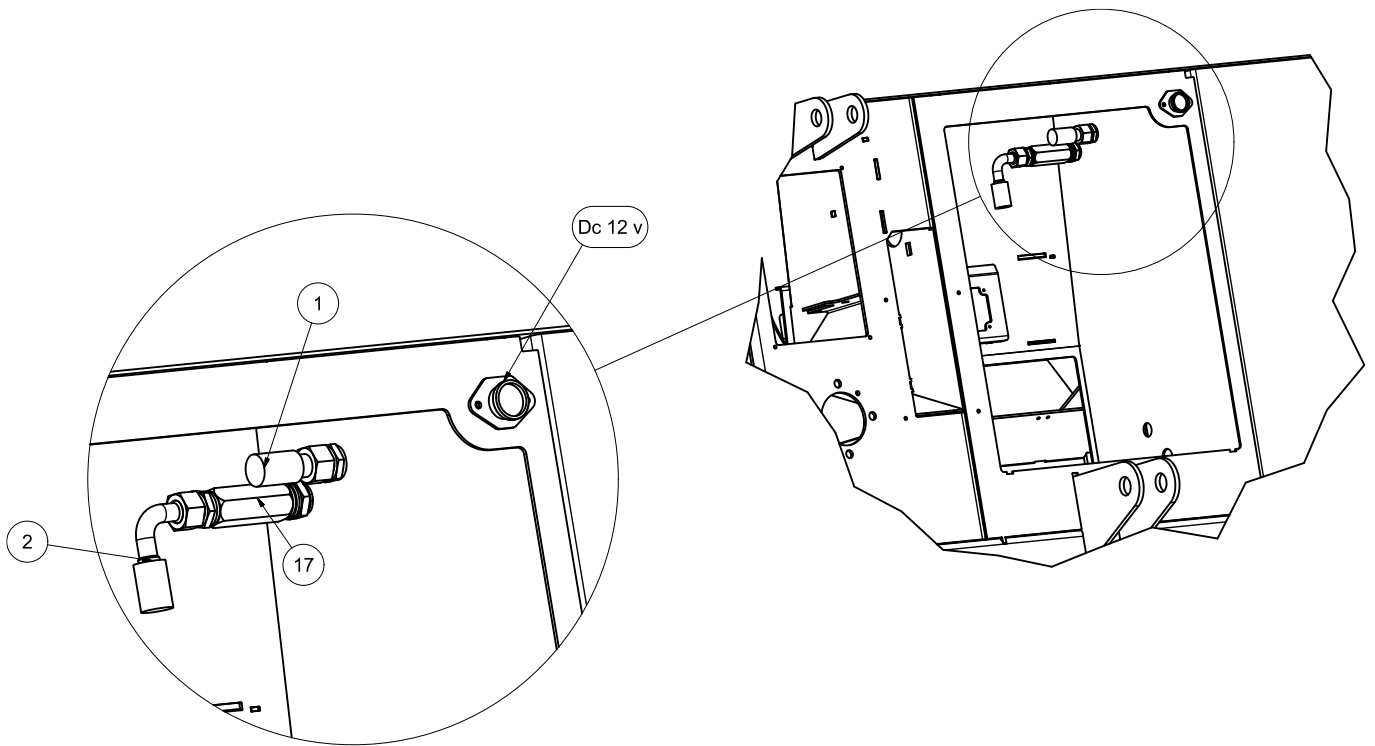


Figure 5 With cooler

1. Remove cover and mount the cooler with 4 screws as shown in Figure 1.
2. Disconnect the A and B in Figure 3, unscrew hydraulic fitting B from tank. On coupling B is a small washer inside the connector to be included when installing the connector in the cooler.
3. Mount non-return valve (18) as shown in Figure 5.
4. Connect A and B on the cooler (Figure 4) Be sure to insert the small washer.
5. Connect hose 1 and 2 from cooler to tank (Figures 4 and 5).
6. Connect the power cord to the electrical contact Dc 12 v., Figure 5. Blue are negative. The cooler starts at about 50 degrees temperature. Remember to look for rotation when the fan starts. If the fan runs in the wrong direction, the cable lugs must be replaced.
7. Place cover (1) Figure 2.